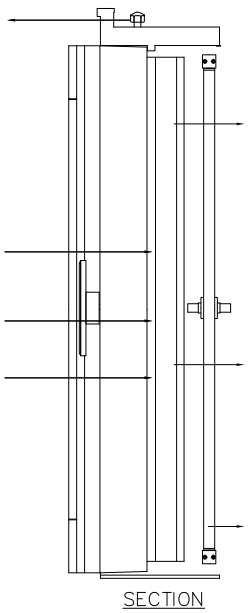


INSTALLATION JACK-BOLT

TIME LOCK MOUNTING PLATE

EMERGENCY VENTILATOR

DETENTION LOCK



STAINLESS STEEL TRIM BOX

ADJUSTABLE HINGES

FULL LENGTH LOCKING

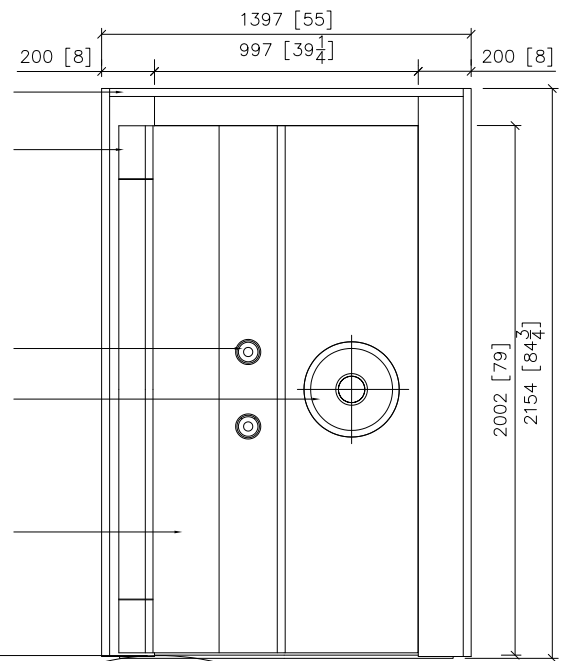
DUAL CONTROL COMBINATION LOCKS

OPERATING WHEEL

DOOR ALARM SWITCH

STAINLESS STEEL DOOR CLADDING

STAINLESS STEEL DAYGATGE



SPECIFICATIONS:

UL LISTED:
UL CLASS 3 LISTED VAULT DOOR.

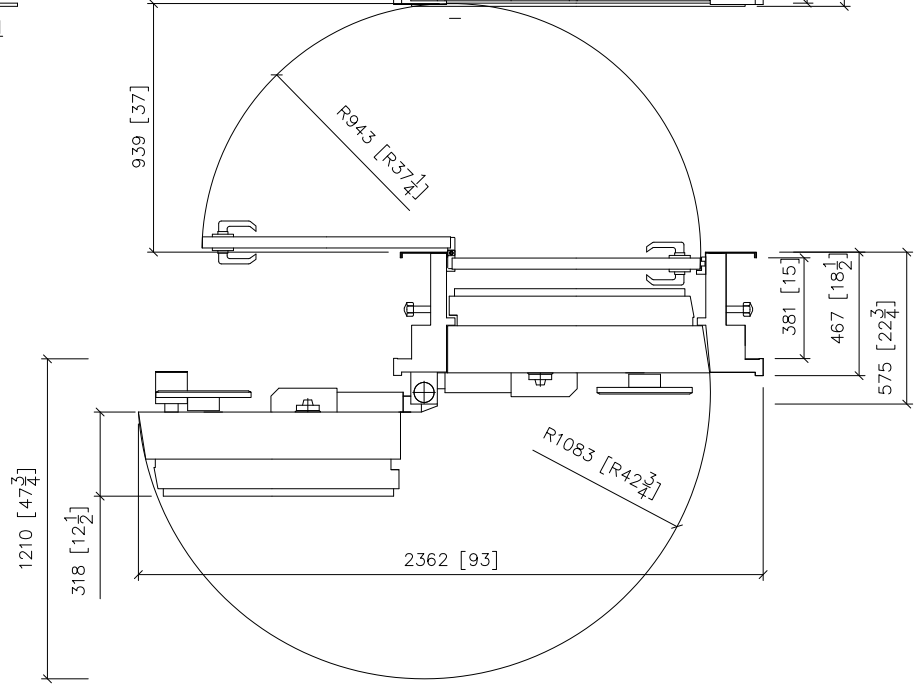
TIME LOCK(OPTION):
UL LISTED THREE MOVEMENT ANTI-SHOCK TIME LOCK WITH EMERGENCY RELEASE.

EMERGENCY VENTILATOR:
EMERGENCY VENTILATOR .

LOCKS:
UL LISTED GROUP 1, 4-Wheel COMBINATION LOCKS.
(STANDARD) DUAL CONTROL COMBINATION LOCKS SYSTEM .
(OPTION) TRIPLE CONTROL COMBINATION LOCKS SYSTEM.

SURFACE:
ALL EXPOSED METAL SURFACE ARE FINISH IN GLEAMING STAINLESS STEEL INCLUDING THE MASSIVE FULL LENGTH LOCKING BAR. DOOR EDGE AND JAMB AREA.

WEIGHT: 1970Kg (4340 LBS)



REVISION	DATE	DESCRIPTION	DRAWN BY	DESIGNED BY	SCALE	PROJECT	DRAWING NAME	PROJECT No.	DRAWING No.
-	-	-	EMMA	-	NIL	-	STANDARD VAULT DOOR	-	-
			CHECKED BY	APPROVAL	DATE	-	UL CLASS 3 LEFT SWING	-	SV-010602
			-	-	2008-2-19				